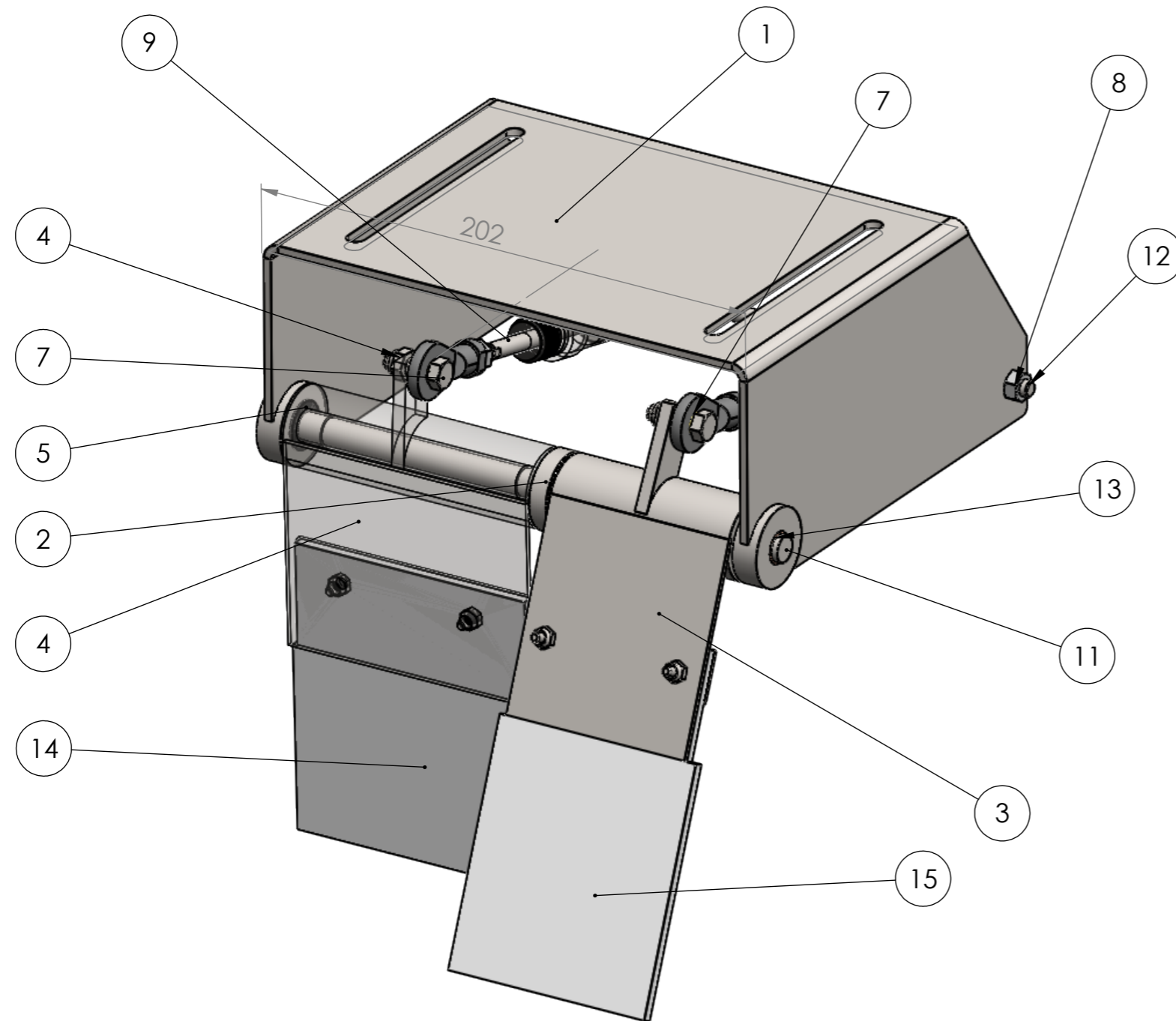
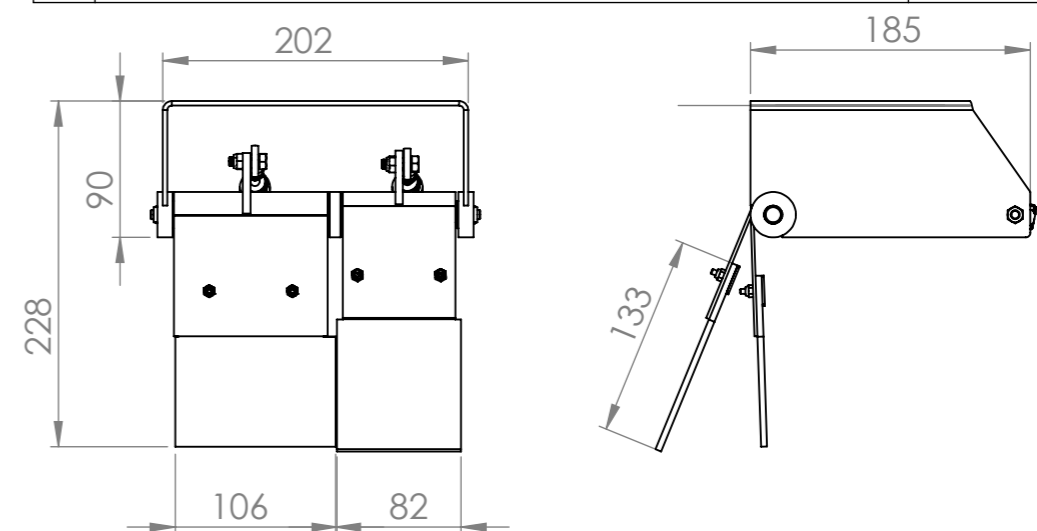


1 2 3 4 5 6 7 8

A
B
C
D
E
F



N	DESCRIPCIÓN	CANTIDAD	CODIGO
1	TRPVPV2450100 Soporte trampillas VPV2	1	30143
2	TRPVPV2450105 Separador trampillas	1	30328
3	TRPVPV2450200 Trampilla afinado	1	29329
4	TRPVPV2450300 Trampilla Predosis	1	29318
5	3171117B Separador trampillas	4	28406
6	Tuerca autoblocante M6	2	985-6
7	Tornillo hexagonal M6*20	2	933-620
8	Tuerca hexagonal Inox M6	5	934-6
9	PISTON NEUMATISO 16*25 ISO6432	2	95000-1625
10	Rotula Plastica M6	2	30166-6
11	TRPVPV2450104 Eje trampillas	1	
12	TRPVPV2450103 Eje cilindros	1	11844
13	Casquillo Bronce	2	12277
14	TRPVPV2450304 Escobilla GRUESO	1	29320
15	TRPVPV2450204 Escobilla AFINADO	1	29324



H:\DISEÑO\WEIGMA\WPV2\4AA GRUPOS\TRPVPV2450000 TRAMPILLAS\TRPVPV2450000Predeterminado
H:\DISEÑO\WEIGMA\WPV2\4AA GRUPOS\TRPVPV2450000 TRAMPILLAS\TRPVPV2450000

UNLESS OTHERWISE SPECIFIED: DIMENSIONS ARE IN MILLIMETERS		FINISH:	DEBUR AND BREAK SHARP EDGES		CODE:	REVISION
SURFACE FINISH:				WEIGMA ®		
TOLERANCES:						
LINEAR:				TITLE: Conjunto trampillas		
ANGULAR:						
DRAWN	NAME	SIGNATURE	DATE	DWG NO. TRPVPV2450000		
CHK'D						
APPV'D						
MFG						
Q.A						
MATERIAL:				SCALE:1:5		
WEIGHT:				SHEET 1 OF 1		

1 2 3 4

A
B
C
D
E
F