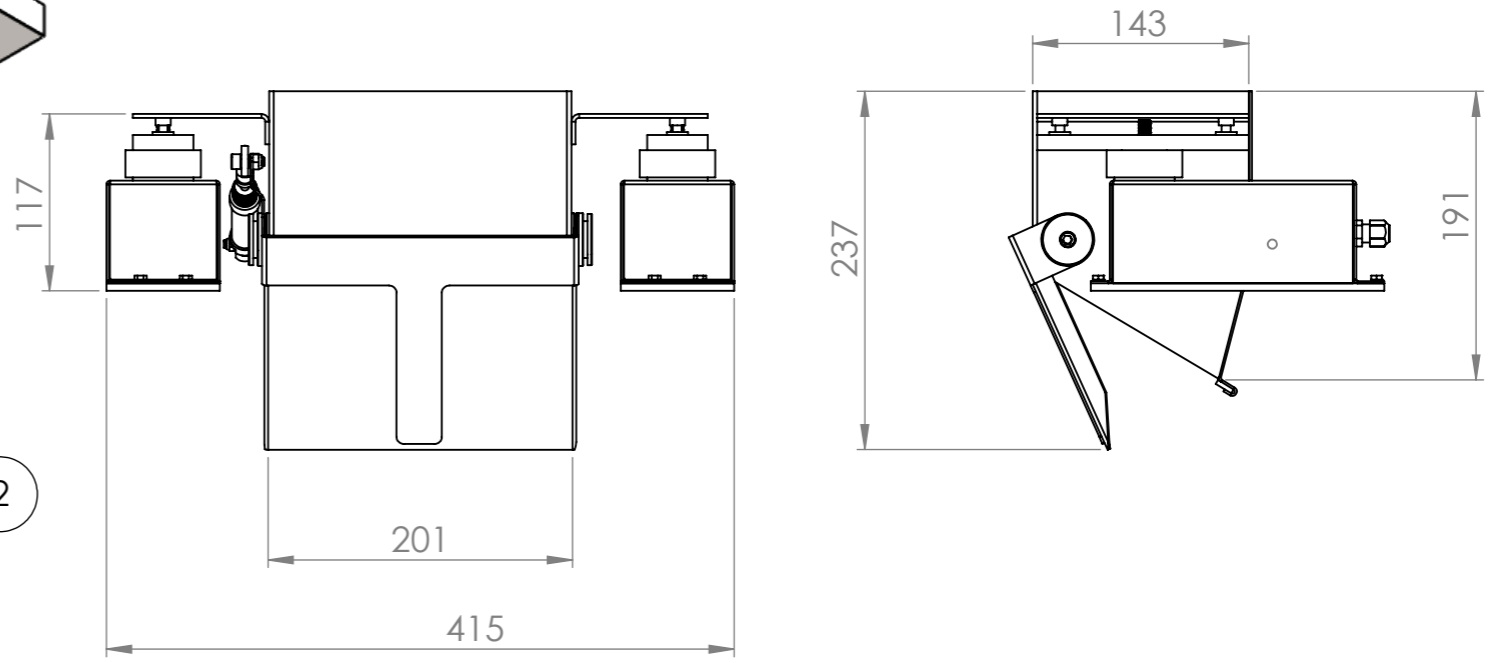


| N.º DE ELEMENTO | DESCRIPCIÓN   | CANTIDAD | CODIGO     |
|-----------------|---|----------|------------|
| 1               | 3170201 BOL UNA TAPA VPV45 PLANCHA                                | 1        | 9781       |
| 2               | 3170208A TAPA BOL VPV45 1T  | 1        | 18722      |
| 3               | PISTON NEUMATISO 16*25 ISO6432                                    | 1        | 95000-1625 |
| 4               | 292-16-11 CASQUILLO GIRO TAPA INT 25 EXT 34 (4171)                | 2        | 4171       |
| 5               | 2921609 ARANDELA SEPARADORA INT 25 MM EST 34 GRUESO 1.5 MM (4177) | 2        | 4177       |
| 6               | 317-02-50 GOMA CIERRE BOL   | 1        | 12318      |
| 7               | Tornillo allen M6x20  | 1        | 912-620    |
| 8               | Rotula Plastica M6  | 1        | 30166-6    |
| 9               | 2520409 ARTICULACION PISTON BOL                                   | 1        | 9743       |
| 10              | Tuerca Autoblocante M5  | 1        | 985-5      |
| 11              | 3170218 SOPORTE REGULABLE BOL                                     | 2        | 9799       |
| 12              | CASQUILLO GUIA BOL  | 4        | 9806       |
| 13              | Tornillo allen M6x20 DIN912                                       | 2        | 912-620    |
| 14              | Tuerca autoblocante M6  | 1        | 985-6      |



H:\DISEÑO\WEIGMA\VPV\AAA GRUPOS VPV\3170200 BOL UNA TAPA\3170200 BOL UNA TAPA VPV45 VERS 01Default  
H:\DISEÑO\WEIGMA\VPV\AAA GRUPOS VPV\3170200 BOL UNA TAPA\3170200 BOL UNA TAPA VPV45 VERS 01

| UNLESS OTHERWISE SPECIFIED:<br>DIMENSIONS ARE IN MILLIMETERS<br>SURFACE FINISH:<br>TOLERANCES:<br>LINEAR:<br>ANGULAR:  |  | FINISH: | DEBUR AND<br>BREAK SHARP<br>EDGES |  | CODE:  | REVISION  |      |  |  |       |  |  |  |  |       |  |  |  |  |        |  |  |  |  |     |  |  |  |  |     |  |  |  |  |  |  |
|--|--|---------|-----------------------------------|--|--------|-----------|------|--|--|-------|--|--|--|--|-------|--|--|--|--|--------|--|--|--|--|-----|--|--|--|--|-----|--|--|--|--|--|--|
| <table border="1"> <thead> <tr> <th>NAME</th> <th>SIGNATURE</th> <th>DATE</th> <th></th> <th></th> </tr> </thead> <tbody> <tr> <td>DRAWN</td> <td></td> <td></td> <td></td> <td></td> </tr> <tr> <td>CHK'D</td> <td></td> <td></td> <td></td> <td></td> </tr> <tr> <td>APPV'D</td> <td></td> <td></td> <td></td> <td></td> </tr> <tr> <td>MFG</td> <td></td> <td></td> <td></td> <td></td> </tr> <tr> <td>Q.A</td> <td></td> <td></td> <td></td> <td></td> </tr> </tbody> </table> |  |         |                                   |  | NAME   | SIGNATURE | DATE |  |  | DRAWN |  |  |  |  | CHK'D |  |  |  |  | APPV'D |  |  |  |  | MFG |  |  |  |  | Q.A |  |  |  |  | <p style="text-align: center;"><b>WEIGMA ®</b></p> |  |
|  |  |         |                                   |  | NAME   | SIGNATURE | DATE |  |  |       |  |  |  |  |       |  |  |  |  |        |  |  |  |  |     |  |  |  |  |     |  |  |  |  |  |  |
|  |  |         |                                   |  | DRAWN  |           |      |  |  |       |  |  |  |  |       |  |  |  |  |        |  |  |  |  |     |  |  |  |  |     |  |  |  |  |  |  |
|  |  |         |                                   |  | CHK'D  |           |      |  |  |       |  |  |  |  |       |  |  |  |  |        |  |  |  |  |     |  |  |  |  |     |  |  |  |  |  |  |
|  |  |         |                                   |  | APPV'D |           |      |  |  |       |  |  |  |  |       |  |  |  |  |        |  |  |  |  |     |  |  |  |  |     |  |  |  |  |  |  |
| MFG  |  |         |                                   |  |        |           |      |  |  |       |  |  |  |  |       |  |  |  |  |        |  |  |  |  |     |  |  |  |  |     |  |  |  |  |  |  |
| Q.A  |  |         |                                   |  |        |           |      |  |  |       |  |  |  |  |       |  |  |  |  |        |  |  |  |  |     |  |  |  |  |     |  |  |  |  |  |  |
| TITLE:   |  |         |                                   |  |        |           |      |  |  |       |  |  |  |  |       |  |  |  |  |        |  |  |  |  |     |  |  |  |  |     |  |  |  |  |  |  |
| 3170200 BOL UNA TAPA VPV45 VERS 01   |  |         |                                   |  |        |           |      |  |  |       |  |  |  |  |       |  |  |  |  |        |  |  |  |  |     |  |  |  |  |     |  |  |  |  |  |  |
| A3   |  |         |                                   |  |        |           |      |  |  |       |  |  |  |  |       |  |  |  |  |        |  |  |  |  |     |  |  |  |  |     |  |  |  |  |  |  |
| WEIGHT:  |  |         |                                   |  |        |           |      |  |  |       |  |  |  |  |       |  |  |  |  |        |  |  |  |  |     |  |  |  |  |     |  |  |  |  |  |  |
| SCALE:1:5  |  |         |                                   |  |        |           |      |  |  |       |  |  |  |  |       |  |  |  |  |        |  |  |  |  |     |  |  |  |  |     |  |  |  |  |  |  |
| SHEET 1 OF 1   |  |         |                                   |  |        |           |      |  |  |       |  |  |  |  |       |  |  |  |  |        |  |  |  |  |     |  |  |  |  |     |  |  |  |  |  |  |