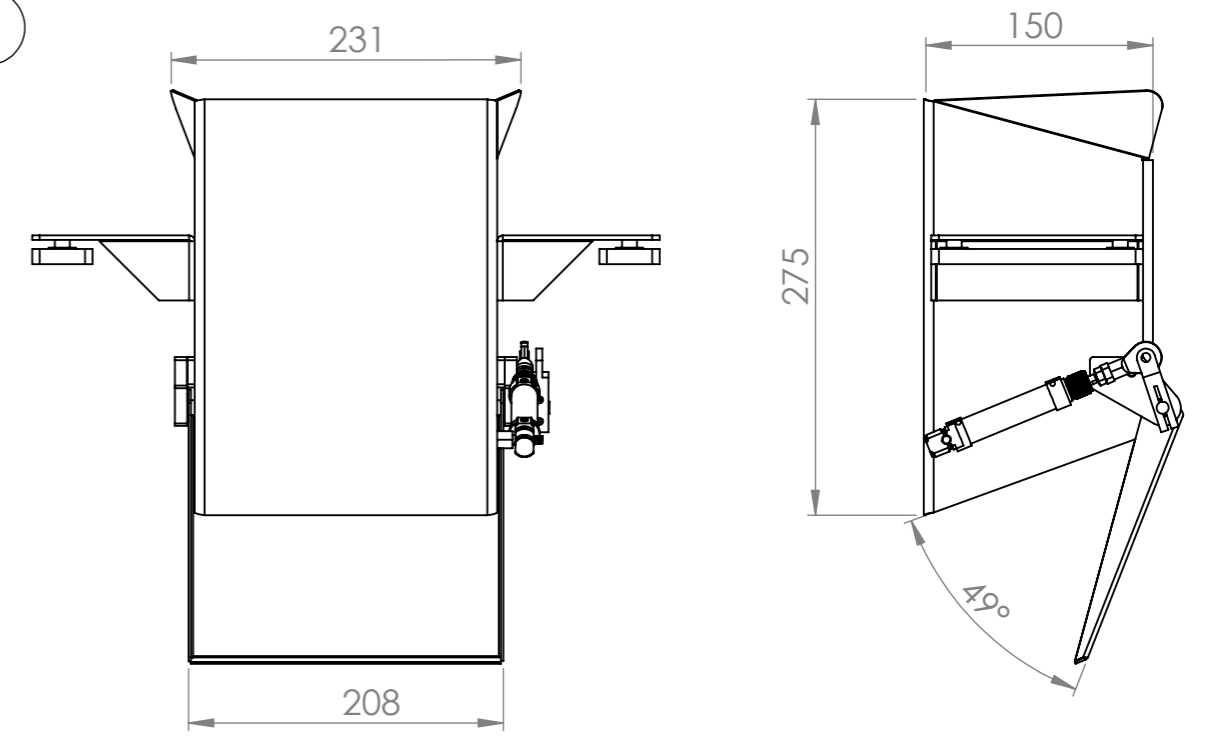


N.º DE ELEMENTO	DESCRIPCIÓN	CANTIDAD	CODIGO
1	WEP30201 ESTRUCTURA BOL SIMPLE WEP3 (11888)	1	11888
2	WEP30205 OREJA ARTICULACION TAPA	2	12060
3	WEP30205 V1 TAPA BOL SIMPLE WEP3(12017)	1	12017
4	CASQUILLO ARTICULACION TAPA 23446	2	23446
5	PISTON NEUMATISO 16*25 ISO6432	1	95000-1625
6	WEP30208 HORQUILLA ACCIONAMIENTO BOL	1	12324
7	Tuerca hexagonal Inox M6	1	934-6
8	Rotula Plastica M6	1	30166-6
9	WEP30211B SOPORTE BOL WEP3	2	29032



H:\DISEÑO\WEIGMA\WEP POLVOS\AAA GRUPOS\WEP30200 BOL SIMPLE WEP3\WEP30200 BOL SIMPLE WEP3 vers 2020Predeterminado
H:\DISEÑO\WEIGMA\WEP POLVOS\AAA GRUPOS\WEP30200 BOL SIMPLE WEP3\WEP30200 BOL SIMPLE WEP3 vers 2020

UNLESS OTHERWISE SPECIFIED: DIMENSIONS ARE IN MILLIMETERS SURFACE FINISH: TOLERANCES: LINEAR: ANGULAR:		FINISH:	DEBUR AND BREAK SHARP EDGES	CODE: 29033	REVISION 2020
				WEIGMA®	
NAME	SIGNATURE	DATE		TITLE:	
DRAWN					
CHK'D					
APPV'D					
MFG					
Q.A			MATERIAL:	DWG: WEP30200 BOL SIMPLE WEP3 vers 2020	
				A3	
			WEIGHT:	SCALE:1:5	SHEET 1 OF 1